

MGR7 Series

Micro Gripper

- Compact and light electric gripper
- Independently controlled jaws
- Light force, 10 grams or less, capability
- Ideal for small fragile part assembly



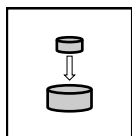
MGR7-010-51-1

MGR7 Series

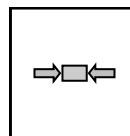
Dimensions [mm]	55x47.5x24
Stroke [mm]	10 (5 each)
Peak Force [N]	3.8 @ 24VDC
Encoder Resolution [μm]	1

SMAC's Patented 'Soft-Land' technology
Fully programmable in force, position and velocity

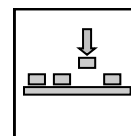
Applications:



Assembly

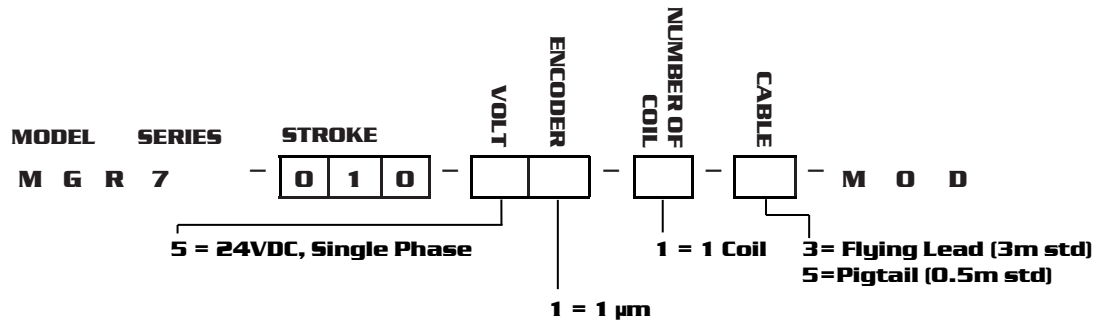


Measuring



Positioning

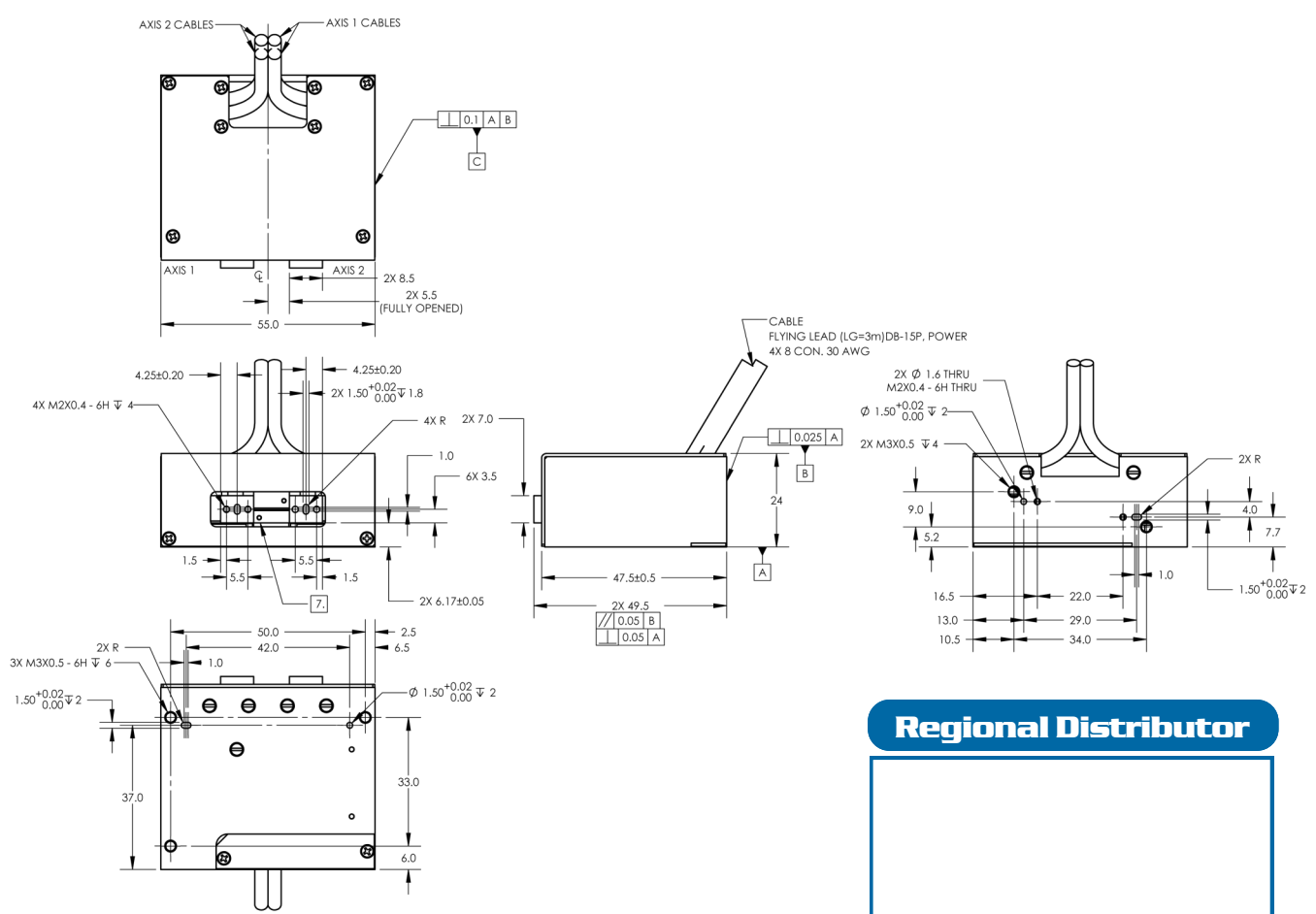
PART NUMBERING



SPECIFICATION

Model	Voltage [DC]	Size: LxWxH [mm]	Stroke [mm]	Peak Force [N]	Force Constant [N/A]	Max. Current [Amp]	Moving Mass [kg]	Weight [kg]
MGR7-010-51-1	24	55x47.5x24	10 (5mm each)	3.8	10.9	0.35	0.009	0.170 w/o cable

DIMENSIONS (MGR7-010-51-1 model)



Regional Distributor



5807 Van Allen Way, Carlsbad, CA 92008
 +1 760-929-7575 info@smac-mca.com

Specifications subject to change without notice.
 2020