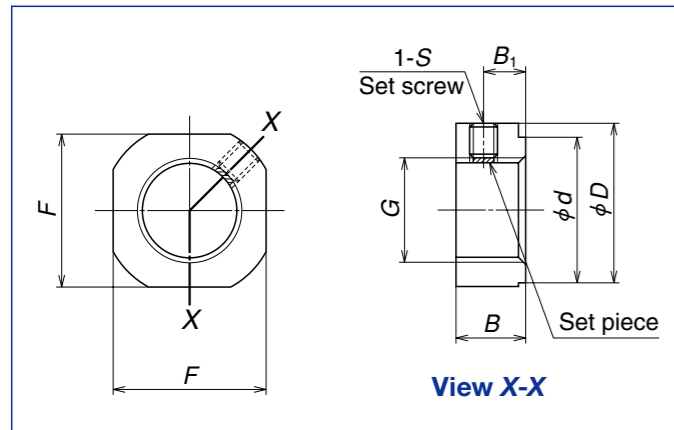


In addition to support units, NSK has other components for ball screws, as shown below.

with minimum inclination. NSK locknuts exclusive for ball screws help to reduce this inclination.

Locknuts

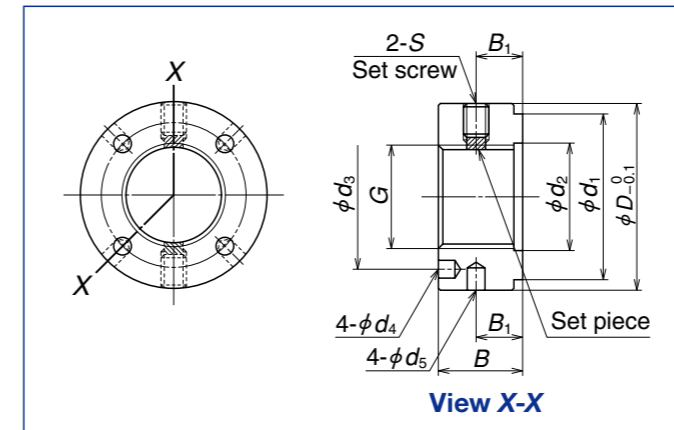
Ball screw support bearings must be installed



A Type shapes and dimensions



A Type locknuts



S Type shapes and dimensions



S Type locknuts

A Type locknuts

Unit: mm

Locknut part number	G	D	F	B	d	B ₁	S	Tightening torque (N·cm) (reference)	Set screw tightening torque (reference) [N·cm]
WBK06L-01	M6×0.75	14.5	12	5	10	2.75	M3, with brass set piece	190	69 (M3)
WBK08L-01	M8×1	17	14	6.5	13	4	M3, with brass set piece	230	69 (M3)
WBK10L-01	M10×1	20	17	8	16	5	M4, with brass set piece	280	147 (M4)
WBK12L-01	M12×1	22	19	8	17	5	M4, with brass set piece	630	147 (M4)
WBK15L-01	M15×1	25	22	10	21	6	M4, with brass set piece	790	147 (M4)
WBK17L-01	M17×1	29	24	13	24	8	M4, with brass set piece	910	147 (M4)
WBK20L-01	M20×1	35	30	13	26	8	M4, with brass set piece	1 670	147 (M4)
WBK25L-01	M25×1.5	42	36	16	34	10	M6, with brass set piece	2 060	490 (M6)

Note: Insert set piece (brass pad) and tighten securing set screw.

S Type locknuts

Unit: mm

Locknut part number	G	D _{0.1}	B	d ₁	d ₂	d ₃	d ₄	d ₅	B ₁	S	Tightening torque (N·cm) (reference)	Set screw tightening torque (reference) [N·cm]
WBK17L-31	M17×1	37	18	30	18	27	4.3	4	10	M6	4 100	490 (M6)
WBK20L-31	M20×1	40	18	30	21	30	4.3	4	10	M6	4 500	490 (M6)
WBK25L-31	M25×1.5	45	20	40	26	35	4.3	4	11	M6	8 500	490 (M6)
WBK30L-31	M30×1.5	50	20	40	31	40	4.3	5	11	M6	10 100	490 (M6)
WBK35L-31	M35×1.5	55	22	50	36	45	4.3	5	12	M6	13 800	490 (M6)
WBK40L-31	M40×1.5	60	22	50	41	50	4.3	5	12	M6	15 500	490 (M6)