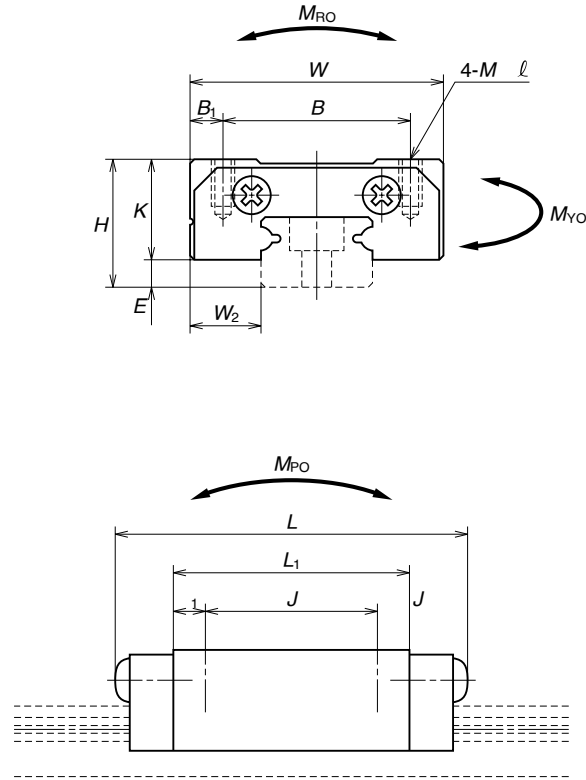


Linear Guides LU Series

LAU-AL (Special high carbon steel)

Dimensions of LU Series (Interchangeable ball slide)



Unit: mm

Model No.	Assembly			Ball slide									Basic load rating					Ball dia.	Weight
	Height		W_2	Width W	Length L	Mounting hole			B_1	L_1	J_1	K	Dynamic C (N)	Static C_0 (N)	Static moment			D_w	Ball slide (g)
	H	E				B	J	$M \times \text{pitch} \times l$							M_{RO} (N·m)	M_{PO} (N·m)	M_{YO} (N·m)		
LAU15AL	16	4	8.5	32	43.6	25	20	$M3 \times 0.5 \times 4$	3.5	27	3.5	12	430	620	3	0.7	0.7	3.175	70