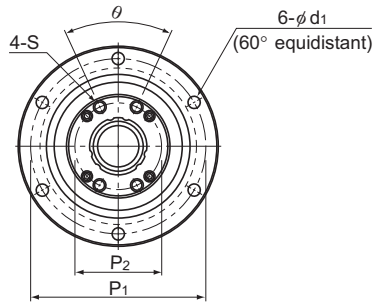


BNS Heavy Load Type: Linear-Rotary Motion No Preload

DN value	70,000
----------	--------



Ball screw unit

Ball screw unit

Model No.	Screw shaft outer diameter d	Screw shaft inner diameter db	Lead Ph	Ball screw dimensions							
				Basic load rating		Ball center-to-center diameter dp	Thread minor diameter dc	Outer diameter D	Flange diameter D ₁	Overall length L ₁	D ₃ h7
				Ca kN	C _{0a} kN						
BNS 1616	16	11	16	3.9	7.2	16.65	13.7	52 ⁰ _{-0.007}	68	43.5	40
BNS 2020	20	14	20	6.1	12.3	20.75	17.5	62 ⁰ _{-0.007}	78	54	50
BNS 2525	25	18	25	9.1	19.3	26	21.9	72 ⁰ _{-0.007}	92	65	58
BNS 3232	32	23	32	13	29.8	33.25	28.3	80 ⁰ _{-0.007}	105	80	66
BNS 4040	40	29	40	21.4	49.7	41.75	35.2	110 ⁰ _{-0.008}	140	98	90
BNS 5050	50	36	50	31.8	77.6	52.2	44.1	120 ⁰ _{-0.008}	156	126	100

Ball spline

Model No.	Ball spline dimensions							
	Basic load rating		Static permissible moment M _s N·m	Basic torque rating		Outer diameter D ₇	Flange diameter D ₅	Overall length L ₂
	C kN	C ₀ kN		C _T N·m	C _{0T} N·m			
BNS 1616	7.1	12.6	67.6	31.4	34.3	52 ⁰ _{-0.007}	68	50
BNS 2020	10.2	17.8	118	56.8	55.8	56 ⁰ _{-0.007}	72	63
BNS 2525	15.2	25.8	210	105	103	62 ⁰ _{-0.007}	78	71
BNS 3232	20.5	34	290	180	157	80 ⁰ _{-0.007}	105	80
BNS 4040	37.8	60.5	687	418	377	100 ⁰ _{-0.008}	130	100
BNS 5050	60.9	94.5	1,340	842	768	120 ⁰ _{-0.008}	156	125

¹ Dimension U indicates the length from the head of the hexagonal-socket-head type bolt to the ball screw nut end.
Notes: For K hollow shaft, please refer to the db dimension for the inner bore diameter of the shaft.

A solid shaft is also available upon request. See "Ball Spline" **A3-120** for details.

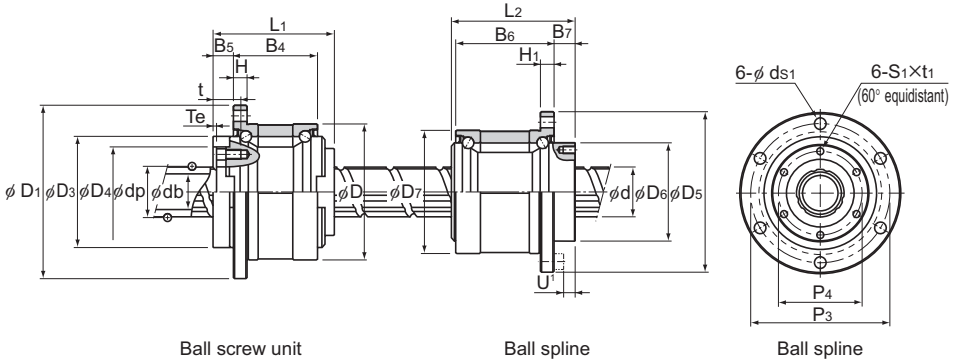
Model number coding

BNS2525 +600L C5

Model number Overall shaft length (in mm) Accuracy symbol¹

¹ See **A15-12**.

Rotary Nut Ball Screw



Unit: mm

D ₄	H	B ₄	B ₅	T _e	P ₁	P ₂	S	t	d ₁	θ°	Support bearing basic load rating		Nut inertial moment	Screw shaft inertial moment	Nut mass	Shaft mass	Permissible rotational speed
											C _a	C _{0,a}					
											kN	kN	kg·m ²	kg·m ² /mm	kg	kg/m	min ⁻¹
32	5	27.5	9	2	60	25	M4	12	4.5	40	19.4	19.2	4.80 × 10 ⁻⁵	3.92 × 10 ⁻⁸	0.38	0.8	4,200
39	6	34	11	2	70	31	M5	16	4.5	40	26.8	29.3	1.44 × 10 ⁻⁴	9.37 × 10 ⁻⁸	0.68	1.21	3,370
47	8	43	12.5	3	81	38	M6	19	5.5	40	28.2	33.3	3.23 × 10 ⁻⁴	2.20 × 10 ⁻⁷	1.1	1.79	2,690
58	9	55	14	3	91	48	M6	19	6.6	40	30	39	6.74 × 10 ⁻⁴	5.92 × 10 ⁻⁷	1.74	2.96	2,100
73	11	68	16.5	3	123	61	M8	22	9	50	59.3	74.1	2.79 × 10 ⁻³	1.43 × 10 ⁻⁶	3.95	4.51	1,670
90	12	80	25	4	136	75	M10	28	11	50	62.2	83	5.82 × 10 ⁻³	3.52 × 10 ⁻⁶	6.22	7.16	1,340

Unit: mm

D ₆	h ₇	H ₁	B ₆	B ₇	P ₃	P ₄	S ₁ × t ₁	ds ₁	U ¹	Support bearing basic load rating		Nut inertial moment	Nut mass
										C	C ₀		
										kN	kN	kg·m ²	kg
39.5	5	37	10	60	32	32	M5 × 8	4.5	5	12.7	11.8	5.20 × 10 ⁻⁵	0.51
43.5	6	48	12	64	36	36	M5 × 8	4.5	7	16.3	15.5	8.70 × 10 ⁻⁵	0.7
53	6	55	13	70	45	45	M6 × 8	4.5	8	17.6	18	1.72 × 10 ⁻⁴	0.93
65.5	9	60	17	91	55	55	M6 × 10	6.6	10	20.1	24	5.61 × 10 ⁻⁴	1.8
79.5	11	74	23	113	68	68	M6 × 10	9	13	37.2	42.5	1.47 × 10 ⁻³	3.9
99.5	12	97	25	136	85	85	M10 × 15	11	13	41.7	54.1	6.25 × 10 ⁻³	6.7

