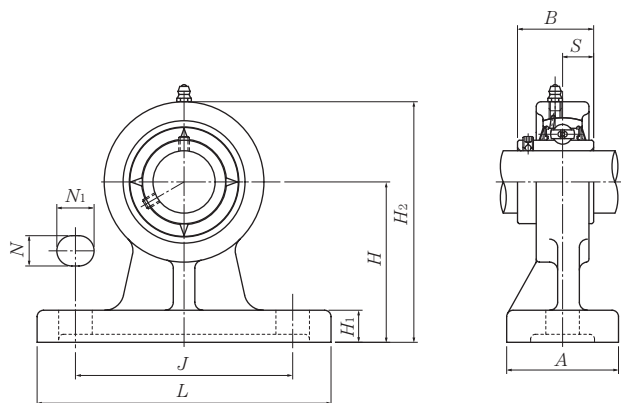


**Pillow blocks cast housing high center height**  
**Set screw type**



Shaft dia.	Unit number <sup>1)</sup>	Nominal dimensions										Bolt size	Bearing number
		mm					inch						
mm inch		H	L	J	A	N	N <sub>1</sub>	H <sub>1</sub>	H <sub>2</sub>	B	S	mm inch	
<b>12</b> 1/2	<b>UCHP201D1</b> <b>UCHP201-008D1</b>	70 2 3/4	127 5	95 3 3/4	40 1 9/16	13 1/2	19 3/4	13 1/2	101 3 31/32	31 1.2205	12.7 0.500	M10 3/8	<b>UC201D1</b> <b>UC201-008D1</b>
<b>15</b> 9/16 5/8	<b>UCHP202D1</b> <b>UCHP202-009D1</b> <b>UCHP202-010D1</b>	70 2 3/4	127 5	95 3 3/4	40 1 9/16	13 1/2	19 3/4	13 1/2	101 3 31/32	31 1.2205	12.7 0.500	M10 3/8	<b>UC202D1</b> <b>UC202-009D1</b> <b>UC202-010D1</b>
<b>17</b> 1 1/16	<b>UCHP203D1</b> <b>UCHP203-011D1</b>	70 2 3/4	127 5	95 3 3/4	40 1 9/16	13 1/2	19 3/4	13 1/2	101 3 31/32	31 1.2205	12.7 0.500	M10 3/8	<b>UC203D1</b> <b>UC203-011D1</b>
<b>20</b> 3/4	<b>UCHP204D1</b> <b>UCHP204-012D1</b>	70 2 3/4	127 5	95 3 3/4	40 1 9/16	13 1/2	19 3/4	13 1/2	101 3 31/32	31 1.2205	12.7 0.500	M10 3/8	<b>UC204D1</b> <b>UC204-012D1</b>
<b>25</b> 1 3/16 7/8 1 5/16 1	<b>UCHP205D1</b> <b>UCHP205-013D1</b> <b>UCHP205-014D1</b> <b>UCHP205-015D1</b> <b>UCHP205-100D1</b>	80 3 5/32	142 5 19/32	105 4 1/8	50 1 31/32	13 1/2	19 3/4	13 1/2	114 4 1/2	34.1 1.3425	14.3 0.563	M10 3/8	<b>UC205D1</b> <b>UC205-013D1</b> <b>UC205-014D1</b> <b>UC205-015D1</b> <b>UC205-100D1</b>
<b>30</b> 1 1/16 1 1/8 1 3/16 1 1/4	<b>UCHP206D1</b> <b>UCHP206-101D1</b> <b>UCHP206-102D1</b> <b>UCHP206-103D1</b> <b>UCHP206-104D1</b>	90 3 35/64	165 6 1/2	120 4 23/32	50 1 31/32	17 2 1/32	21 1 3/16	16 5/8	130 5 1/8	38.1 1.5000	15.9 0.626	M14 1/2	<b>UC206D1</b> <b>UC206-101D1</b> <b>UC206-102D1</b> <b>UC206-103D1</b> <b>UC206-104D1</b>
<b>35</b> 1 1/4 1 5/16 1 3/8 1 7/16	<b>UCHP207D1</b> <b>UCHP207-104D1</b> <b>UCHP207-105D1</b> <b>UCHP207-106D1</b> <b>UCHP207-107D1</b>	95 3 47/64	166 6 17/32	127 5	60 2 3/8	17 2 1/32	21 1 3/16	18 2 3/32	140 5 1/2	42.9 1.6890	17.5 0.689	M14 1/2	<b>UC207D1</b> <b>UC207-104D1</b> <b>UC207-105D1</b> <b>UC207-106D1</b> <b>UC207-107D1</b>
<b>40</b> 1 1/2 1 9/16	<b>UCHP208D1</b> <b>UCHP208-108D1</b> <b>UCHP208-109D1</b>	100 3 15/16	184 7 1/4	136 5 11/32	70 2 3/4	17 2 1/32	21 1 3/16	20 2 5/32	150 5 29/32	49.2 1.9370	19 0.748	M14 1/2	<b>UC208D1</b> <b>UC208-108D1</b> <b>UC208-109D1</b>

Remarks: 1) These numbers indicate relubricatable type. If maintenance free type is needed, please order without suffix "D1".  
 Note: Please refer to page 44 for size of grease fitting.

Housing number <sup>1)</sup>	Mass (approx.)	
	kg	lb
HP204D1	0.9	
HP204D1	2.0	
HP204D1	0.9	
HP204D1	2.0	
HP204D1	0.9	
HP204D1	2.0	
HP204D1	0.9	
HP204D1	2.0	
HP205D1	1.2	
HP205D1		
HP205D1	2.7	
HP205D1		
HP205D1		
HP206D1	1.8	
HP206D1		
HP206D1	4.0	
HP206D1		
HP206D1		
HP207D1	2.3	
HP207D1		
HP207D1	5.1	
HP207D1		
HP207D1		
HP208D1	3.2	
HP208D1	7.1	
HP208D1		