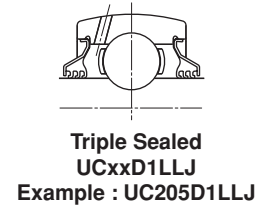
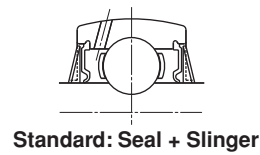
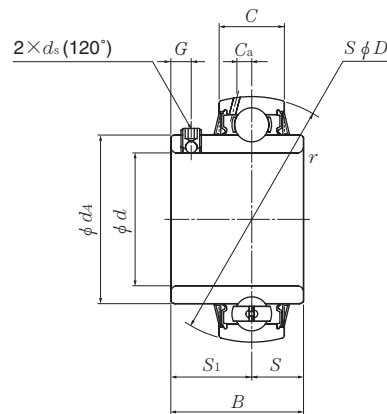


### Ball bearings Set screw type



Shaft dia. mm inch	Bearing number	Nominal dimensions										
		<i>d</i>	<i>D</i>	<i>B</i>	<i>C</i>	<i>r<sub>s</sub></i> mm min.	<i>S</i>	inch <i>S<sub>1</sub></i>	<i>G</i>	<i>ds</i>	<i>d<sub>4</sub></i>	<i>C<sub>a</sub></i>
<b>12</b> 1/2	<b>UC201D1</b> <b>UC201-008D1</b>	12 0.5000	47 1.8504	31 1.2205	17 0.6693	0.6 0.024	12.7 0.500	18.3 0.720	4.5 0.177	M5×0.8 No.10-32UNF	29.6 1.1654	3.8 0.150
<b>15</b> 9/16 5/8	<b>UC202D1</b> <b>UC202-009D1</b> <b>UC202-010D1</b>	15 0.5625 0.6250	47 1.8504	31 1.2205	17 0.6693	0.6 0.024	12.7 0.500	18.3 0.720	4.5 0.177	M5×0.8 No.10-32UNF	29.6 1.1654	3.8 0.150
<b>17</b> 1 1/16	<b>UC203D1</b> <b>UC203-011D1</b>	17 0.6875	47 1.8504	31 1.2205	17 0.6693	0.6 0.024	12.7 0.500	18.3 0.720	4.5 0.177	M5×0.8 No.10-32UNF	29.6 1.1654	3.8 0.150
<b>20</b> 3/4	<b>UC204D1</b> <b>UC204-012D1</b>	20 0.7500	47 1.8504	31 1.2205	17 0.6693	1 0.039	12.7 0.500	18.3 0.720	4.5 0.177	M5×0.8 No.10-32UNF	29.6 1.1654	3.8 0.150
<b>25</b> 1 3/16 7/8 1 5/16 1	<b>UC205D1</b> <b>UC205-013D1</b> <b>UC205-014D1</b> <b>UC205-015D1</b> <b>UC205-100D1</b>	25 0.8125 0.8750 0.9375 1.0000	52 2.0472	34.1 1.3425	17 0.6693	1 0.039	14.3 0.563	19.8 0.780	5 0.197	M5×0.8 No.10-32UNF	29.6 1.3346	3.8 0.157
<b>30</b> 1 1/16 1 1/8 1 3/16 1 1/4	<b>UC206D1</b> <b>UC206-101D1</b> <b>UC206-102D1</b> <b>UC206-103D1</b> <b>UC206-104D1</b>	30 1.0625 1.1250 1.1875 1.2500	62 2.4409	38.1 1.5000	19 0.7480	1 0.039	15.9 0.626	22.2 0.874	5 0.197	M6×0.75 1/4-28UNF	40.8 1.6063	4.9 0.193
<b>35</b> 1 1/4 1 5/16 1 3/8 1 7/16	<b>UC207D1</b> <b>UC207-104D1</b> <b>UC207-105D1</b> <b>UC207-106D1</b> <b>UC207-107D1</b>	35 1.2500 1.3125 1.3750 1.4375	72 2.8346	42.9 1.6890	20 0.7874	1.5 0.059	17.5 0.689	25.4 1.000	6 0.236	M6×0.75 1/4-28UNF	46.8 1.8425	5.4 0.213
<b>40</b> 1 1/2 1 9/16	<b>UC208D1</b> <b>UC208-108D1</b> <b>UC208-109D1</b>	40 1.5000 1.5625	80 3.1496	49.2 1.9370	21 0.8268	1.5 0.059	19 0.748	30.2 1.189	8 0.315	M8×1 5/16-24UNF	53 2.0866	6 0.236
<b>45</b> 1 5/8 1 11/16 1 3/4	<b>UC209D1</b> <b>UC209-110D1</b> <b>UC209-111D1</b> <b>UC209-112D1</b>	45 1.6250 1.6875 1.7500	85 3.3465	49.2 1.9370	22 0.8661	1.5 0.059	19 0.748	30.2 1.189	8 0.315	M8×1 5/16-24UNF	57.5 2.2638	6.1 0.240

Remarks: 1) For inch series bearings, the  $f_0$  factor for calculating equivalent radial load is the same as the metric series.

Basic load ratings		Factor <sup>1)</sup> $f_0$	Mass (approx.)	
N dynamic $C_r$	lbf static $C_{or}$		kg	lb
12 800	6 650	13.2	0.21	
2 890	1 500		0.46	
12 800	6 650	13.2	0.20	
2 890	1 500		0.44	0.42
12 800	6 650	13.2	0.18	
2 890	1 500		0.39	
12 800	6 650	13.2	0.17	
2 890	1 500		0.39	
14 000	7 850	13.9	0.20	
			0.53	
3 150	1 770		0.51	
			0.46	0.44
19 500	11 300	13.8	0.32	
			0.82	
4 400	2 540		0.77	
			0.73	0.66
25 700	15 300	13.8	0.46	
			1.21	
5 750	3 450		1.15	
			1.08	1.01
29 100	17 800	14.0	0.64	
6 550	4 000		1.52	
			1.46	
32 500	20 400	14.1	0.68	
			1.76	
7 350	4 600		1.68	
			1.57	