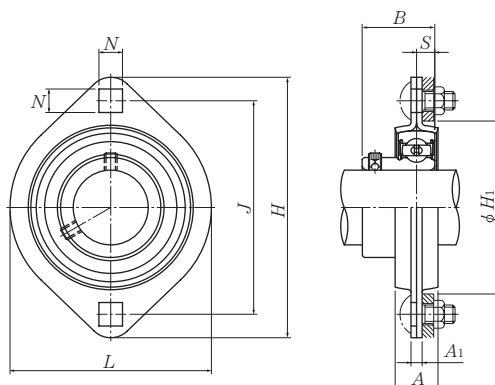


Rhombus flanged units pressed steel housing  
Set screw type



Shaft dia. mm inch	Unit number	Nominal dimensions										Bolt size mm inch	Max. load recommended		Bearing number
		mm					inch						N radial	lbf axial	
		H	J	A <sub>1</sub>	N	A	L	B	S	H <sub>1</sub> min.					
<b>12</b> 1/2	<b>ASPFL201</b> <b>ASPFL201-008</b>	81 3 3/16	63.5 2 1/2	4 0.157	7.1 9/32	14 9/16	59 2 5/16	22 0.8661	6 0.236	49 1 59/64	M 6 1/4	2 700 600	1 350 300	AS201 AS201-008	
<b>15</b> 9/16 5/8	<b>ASPFL202</b> <b>ASPFL202-009</b> <b>ASPFL202-010</b>	81 3 3/16	63.5 2 1/2	4 0.157	7.1 9/32	14 9/16	59 2 5/16	22 0.8661	6 0.236	49 1 59/64	M 6 1/4	2 700 600	1 350 300	AS202 AS202-009 AS202-010	
<b>17</b> 1 1/16	<b>ASPFL203</b> <b>ASPFL203-011</b>	81 3 3/16	63.5 2 1/2	4 0.157	7.1 9/32	14 9/16	59 2 5/16	22 0.8661	6 0.236	49 1 59/64	M 6 1/4	2 700 600	1 350 300	AS203 AS203-011	
<b>20</b> 3/4	<b>ASPFL204</b> <b>ASPFL204-012</b>	90 3 17/32	71.5 2 13/16	4 0.157	9 23/64	16 5/8	67 2 5/8	25 0.9843	7 0.276	56 2 13/64	M 8 5/16	3 000 660	1 500 330	AS204 AS204-012	
<b>25</b> 1 3/16 7/8 1 5/16 1	<b>ASPFL205</b> <b>ASPFL205-013</b> <b>ASPFL205-014</b> <b>ASPFL205-015</b> <b>ASPFL205-100</b>	95 3 3/4	76 2 63/64	4 0.157	9 23/64	18 23/32	71 2 25/32	27 1.0630	7.5 0.295	60 2 23/64	M 8 5/16	4 000 880	2 000 440	AS205 AS205-013 AS205-014 AS205-015 AS205-100	
<b>30</b> 1 1/16 1 1/8 1 3/16 1 1/4	<b>ASPFL206</b> <b>ASPFL206-101</b> <b>ASPFL206-102</b> <b>ASPFL206-103</b> <b>ASPFL206-104</b>	113 4 7/16	90.5 3 9/16	5.2 0.205	11 7/16	18 23/32	84 3 1/16	29 1.1417	8 0.315	71 2 51/64	M10 3/8	5 000 1 100	2 500 550	AS206 AS206-101 AS206-102 AS206-103 AS206-104	
<b>35</b> 1 1/4 1 5/16 1 3/8 1 7/16	<b>ASPFL207</b> <b>ASPFL207-104</b> <b>ASPFL207-105</b> <b>ASPFL207-106</b> <b>ASPFL207-107</b>	122 4 13/16	100 3 15/16	5.2 0.205	11 7/16	20 25/32	94 3 11/16	34 1.3386	8.5 0.335	81 3 3/16	M10 3/8	6 000 1 300	3 000 650	AS207 AS207-104 AS207-105 AS207-106 AS207-107	
<b>40</b> 1 1/2 1 9/16	<b>ASPFL208</b> <b>ASPFL208-108</b> <b>ASPFL208-109</b>	148 5 53/64	119 4 11/16	6.8 0.268	13.5 17/32	21 53/64	100 3 15/16	38 1.4961	9 0.354	91 3 37/64	M12 1/2	6 000 1 300	3 000 650	AS208 AS208-108 AS208-109	

Remarks: 1) The permissible load only applies in applications where the load is stable and the speed is 2400 min<sup>-1</sup> or less.

Housing number	Mass (approx.)	
	kg	lb
PFL203	0.2	
PFL203	0.4	
PFL203	0.2	
PFL203	0.4	
PFL203	0.4	
PFL203	0.2	
PFL203	0.4	
PFL204	0.2	
PFL204	0.4	
PFL205	0.3	
PFL205		
PFL205	0.7	
PFL205		
PFL205		
PFL206	0.4	
PFL206		
PFL206	0.9	
PFL206		
PFL206		
PFL207	0.6	
PFL207		
PFL207	1.3	
PFL207		
PFL207		
PFL208	0.8	
PFL208	1.4	
PFL208		