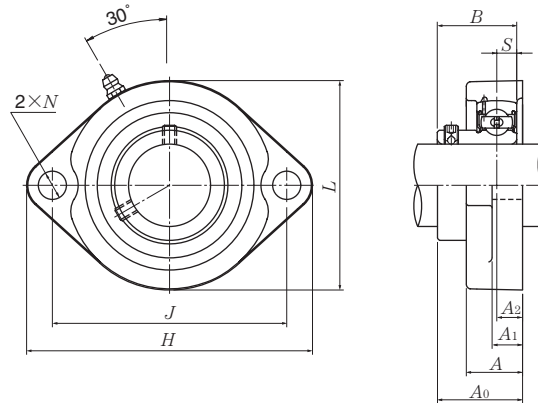


Light rhombus flanged units cast housing Set screw type



Shaft dia. mm inch	Unit number ¹⁾	Nominal dimensions										Bolt size mm inch	Bearing number ¹⁾
		mm					inch						
		H	J	A ₂	A ₁	A	N	L	A ₀	B	S		
12 1/2	ASFB201D1 ASFB201-008D1	81 3 3/16	63.5 2 1/2	9.5 3/8	9.5 3/8	18 23/32	7 9/32	56 2 7/32	25.5 1	22 0.8661	6 0.236	M6 1/4	AS201D1 AS201-008D1
15 9/16 5/8	ASFB202D1 ASFB202-009D1 ASFB202-010D1	81 3 3/16	63.5 2 1/2	9.5 3/8	9.5 3/8	18 23/32	7 9/32	56 2 7/32	25.5 1	22 0.8661	6 0.236	M6 1/4	AS202D1 AS202-009D1 AS202-010D1
17 1 1/16	ASFB203D1 ASFB203-011D1	81 3 3/16	63.5 2 1/2	9.5 3/8	9.5 3/8	18 23/32	7 9/32	56 2 7/32	25.5 1	22 0.8661	6 0.236	M6 1/4	AS203D1 AS203-011D1
20 3/4	ASFB204D1 ASFB204-012D1	90 3 35/64	71.5 2 13/16	11 7/16	11 7/16	20 25/32	10 25/64	61 2 13/32	29 1 9/64	25 0.9843	7 0.276	M8 5/16	AS204D1 AS204-012D1
25 13/16 7/8 15/16 1	ASFB205D1D1 ASFB205-013D1 ASFB205-014D1 ASFB205-015D1 ASFB205-100D1	95 3 3/4	76 2 63/64	11 7/16	11 7/16	20 25/32	10 25/64	64 2 17/32	30.5 1 13/64	27 1.0630	7.5 0.295	M8 5/16	AS205D1 AS205-013D1 AS205-014D1 AS205-015D1 AS205-100D1
30 1 1/16 1 1/8 1 3/16 1 1/4	ASFB206D1 ASFB206-101D1 ASFB206-102D1 ASFB206-103D1 ASFB206-104D1	113 4 7/16	90.5 3 9/16	12 15/32	12 15/32	22.5 7/8	12 15/32	76 3	33 1 19/64	29 1.1417	8 0.315	M10 3/8	AS206D1 AS206-101D1 AS206-102D1 AS206-103D1 AS206-104D1
35 1 1/4 1 5/16 1 3/8 1 7/16	ASFB207D1 ASFB207-104D1 ASFB207-105D1 ASFB207-106D1 ASFB207-107D1	122 4 51/64	100 3 15/16	11 7/16	13 1/2	24 15/16	12 15/32	89 3 1/2	36.5 1 7/16	34 1.3386	8.5 0.335	M10 3/8	AS207D1 AS207-104D1 AS207-105D1 AS207-106D1 AS207-107D1

Remarks: 1) These numbers indicate relubricatable type. If maintenance free type is needed, please order without suffix "D1".

Note: Please refer to page 44 for size of grease fitting.

Housing ¹⁾ number	Mass (approx.)	
	kg	lb
FB201D1	0.3	
FB201D1	0.7	
FB201D1	0.3	
FB201D1	0.7	
FB201D1	0.2	
FB201D1	0.4	
FB204D1	0.3	
FB204D1	0.7	
FB205D1	0.3	
FB205D1	0.7	
FB206D1	0.5	
FB206D1	1.1	
FB207D1	0.8	
FB207D1	1.8	