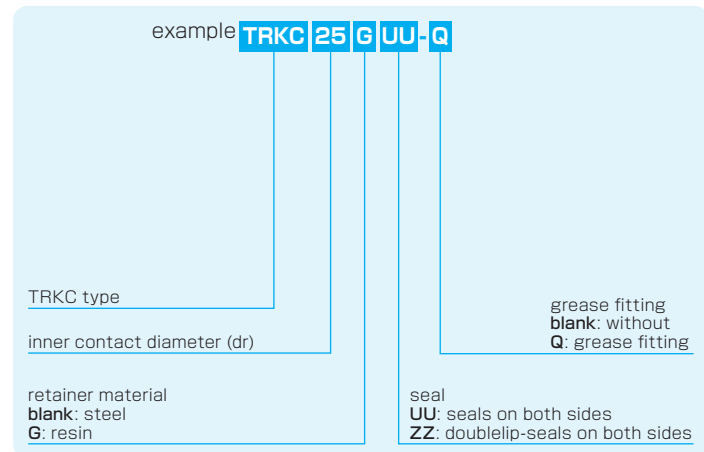


# TRKC TYPE

— Triple-Wide Intermediate Position Square Flange Type —



## part number structure



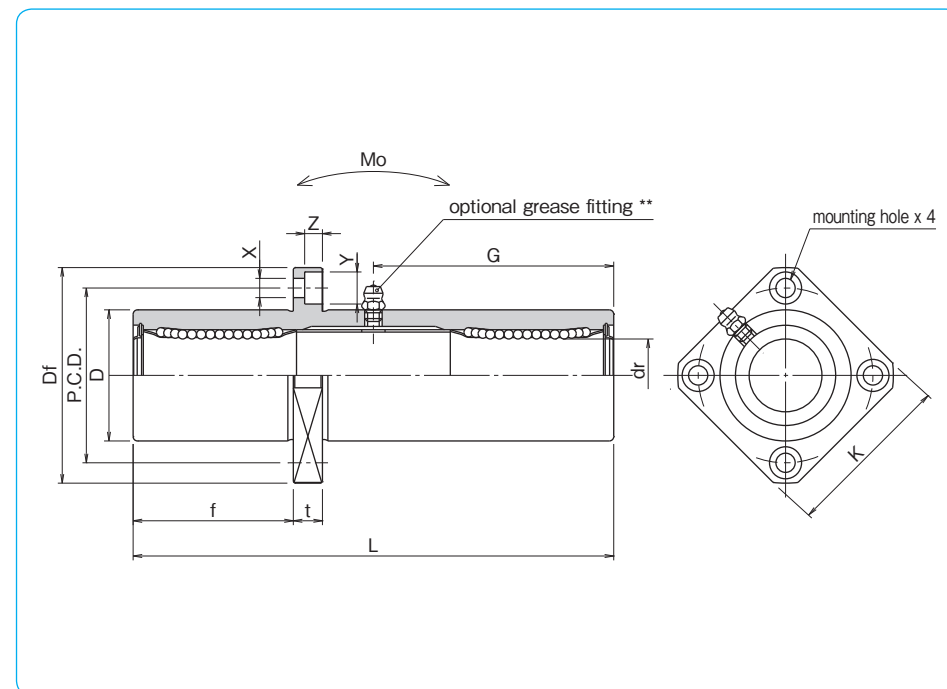
Doublelip-seal is available for size 6 to 30.

| part number*   |                | number of ball circuits | dr |                         | major dimensions |                         |                |
|----------------|----------------|-------------------------|----|-------------------------|------------------|-------------------------|----------------|
| steel retainer | resin retainer |                         | mm | tolerance $\mu\text{m}$ | D                | tolerance $\mu\text{m}$ | L $\pm 0.3$ mm |
| TRKC 6UU       | TRKC 6GUU      | 4                       | 6  |                         | 15               | 0/-18                   | 51             |
| TRKC 8UU       | TRKC 8GUU      | 4                       | 8  | 0                       | 19               |                         | 66             |
| TRKC 10UU      | TRKC 10GUU     | 4                       | 10 | -12                     | 23               | 0                       | 80             |
| TRKC 12UU      | TRKC 12GUU     | 4                       | 12 |                         | 26               | -21                     | 84             |
| TRKC 13UU      | TRKC 13GUU     | 4                       | 13 | 0                       | 28               |                         | 90             |
| TRKC 16UU      | TRKC 16GUU     | 4                       | 16 | -15                     | 32               |                         | 103            |
| TRKC 20UU      | TRKC 20GUU     | 5                       | 20 |                         | 40               | 0                       | 118            |
| TRKC 25UU      | TRKC 25GUU     | 6                       | 25 | 0                       | 45               | -25                     | 165            |
| TRKC 30UU      | TRKC 30GUU     | 6                       | 30 | -18                     | 52               |                         | 182            |
| TRKC 35UU      | TRKC 35GUU     | 6                       | 35 |                         | 60               | 0                       | 200            |
| TRKC 40UU      | TRKC 40GUU     | 6                       | 40 | 0                       | 65               | -30                     | 230            |
| TRKC 50UU      | TRKC 50GUU     | 6                       | 50 | -21                     | 85               | 0                       | 290            |
| TRKC 60UU      | TRKC 60GUU     | 6                       | 60 | 0/-25                   | 100              | -35                     | 310            |

Outer cylinder is treated with electroless nickel plating.

\* Seals-on-both-sides is standard.

\*\* TRKC6: A-MT6x1 TRKC8: A-M6x1 TRKC10~30: A-M6F TRKC35~60: A-R1/8



| f mm | Df mm | flange |      |     | P.C.D. mm   | X×Y×Z mm | grease fitting G mm | eccentricity $\mu\text{m}$ | perpendicularity $\mu\text{m}$ | basic load rating |       | allowable static moment Mo N·m | mass g | shaft diameter mm |
|------|-------|--------|------|-----|-------------|----------|---------------------|----------------------------|--------------------------------|-------------------|-------|--------------------------------|--------|-------------------|
|      |       | K mm   | t mm | C N |             |          |                     |                            |                                | Co N              |       |                                |        |                   |
| 17   | 32    | 25     | 5    | 24  | 3.5×6×3.1   | 20.5     | 20                  | 20                         | 323                            | 530               | 8.2   | 58                             | 6      |                   |
| 22   | 40    | 30     | 6    | 29  | 4.5×7.5×4.1 | 29       |                     |                            | 431                            | 784               | 16.0  | 117                            | 8      |                   |
| 27   | 43    | 34     | 6    | 33  | 4.5×7.5×4.1 | 38       |                     |                            | 588                            | 1,100             | 27.0  | 189                            | 10     |                   |
| 28   | 46    | 35     | 6    | 36  | 4.5×7.5×4.1 | 41       |                     |                            | 813                            | 1,570             | 40.1  | 228                            | 12     |                   |
| 30   | 48    | 37     | 6    | 38  | 4.5×7.5×4.1 | 45       |                     |                            | 813                            | 1,570             | 42.9  | 286                            | 13     |                   |
| 35   | 54    | 42     | 8    | 43  | 5.5×9×5.1   | 51       | 25                  | 25                         | 1,230                          | 2,350             | 73.5  | 376                            | 16     |                   |
| 40   | 62    | 50     | 8    | 51  | 5.5×9×5.1   | 59       |                     |                            | 1,400                          | 2,740             | 98.0  | 714                            | 20     |                   |
| 55   | 74    | 58     | 10   | 60  | 6.6×11×6.1  | 82.5     |                     |                            | 1,560                          | 3,140             | 157   | 1,163                          | 25     |                   |
| 61   | 82    | 64     | 10   | 67  | 6.6×11×6.1  | 91       |                     |                            | 2,490                          | 5,490             | 297   | 1,543                          | 30     |                   |
| 67   | 96    | 75     | 13   | 78  | 9×14×8.1    | 100      |                     |                            | 2,650                          | 6,270             | 373   | 2,400                          | 35     |                   |
| 77   | 101   | 80     | 13   | 83  | 9×14×8.1    | 115      | 30                  | 30                         | 3,430                          | 8,040             | 553   | 2,510                          | 40     |                   |
| 97   | 129   | 100    | 18   | 107 | 11×17×11.1  | 145      |                     |                            | 6,080                          | 15,900            | 1,370 | 6,400                          | 50     |                   |
| 104  | 144   | 116    | 18   | 122 | 11×17×11.1  | 155      |                     |                            | 7,550                          | 20,000            | 1,800 | 9,200                          | 60     |                   |

1N  $\approx$  0.102kgf 1N · m  $\approx$  0.102kgf · m