

# SMK TYPE

– Square Flange Type –



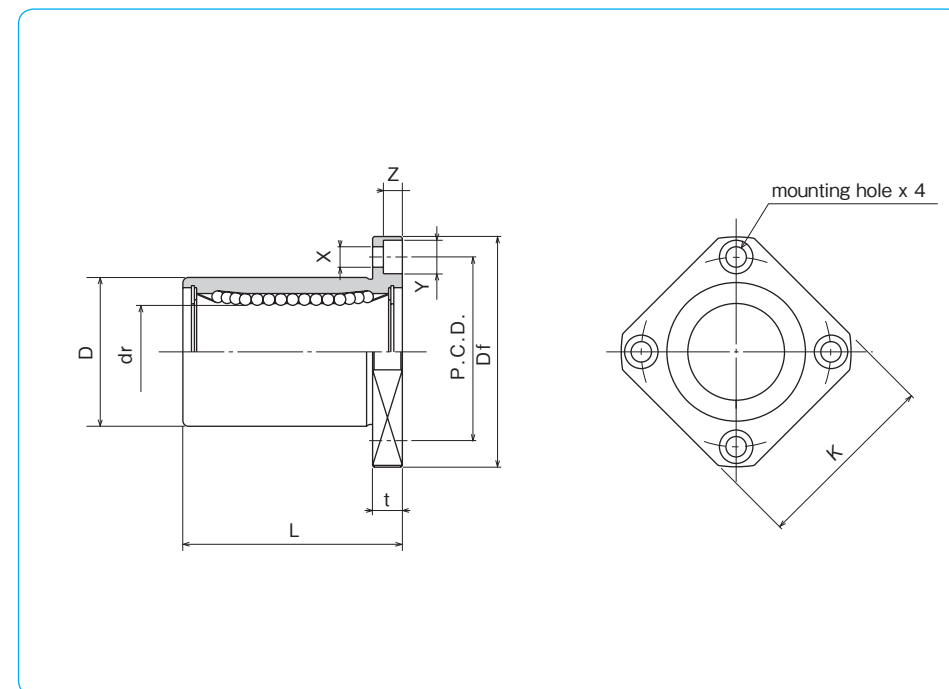
## part number structure

example **SMSK 25 G UU -SK**

specification <b>SMK</b> : standard <b>SMSK</b> : anti-corrosion	inner contact diameter (dr)	retainer material <b>blank</b> : standard/steel anti-corrosion/stainless steel <b>G</b> : resin	outer cylinder surface treatment <b>blank</b> : no surface treatment <b>SK</b> : electroless nickel plating <b>LF</b> : low temperature black chrome treatment with fluoride coating <b>SB</b> : black oxide (not available on anti-corrosion type) <b>SC</b> : industrial chrome plating	seal <b>blank</b> : without seal <b>UU</b> : seals on both sides <b>ZZ</b> : doublelip-seals on both sides
--	-----------------------------	--	--	---

Doublelip-seal is available for size 6 to 30.

part number				number of ball circuits	major dimensions				
standard steel retainer	anti-corrosion resin retainer	stainless steel retainer	resin retainer		dr mm	D mm	L mm	t mm	X×Y×Z mm
SMK 6	SMK 6G	SMSK 6	SMSK 6G	4	6	12	19	5	3.5×6×3.1
SMK 8s	SMK 8sG	SMSK 8s	SMSK 8sG	4	8	15	17	5	3.5×6×3.1
SMK 8	SMK 8G	SMSK 8	SMSK 8G	4	8	15	24	6	3.5×6×3.1
SMK 10	SMK10G	SMSK10	SMSK10G	4	10	19	29	6	4.5×7.5×4.1
SMK 12	SMK12G	SMSK12	SMSK12G	4	12	21	30	6	4.5×7.5×4.1
SMK 13	SMK13G	SMSK13	SMSK13G	4	13	23	32	6	4.5×7.5×4.1
SMK 16	SMK16G	SMSK16	SMSK16G	4	16	28	37	6	4.5×7.5×4.1
SMK 20	SMK20G	SMSK20	SMSK20G	5	20	32	42	8	5.5×9×5.1
SMK 25	SMK25G	SMSK25	SMSK25G	6	25	40	59	8	5.5×9×5.1
SMK 30	SMK30G	SMSK30	SMSK30G	6	30	45	64	10	6.6×11×6.1
SMK 35	SMK35G	SMSK35	SMSK35G	6	35	52	70	10	6.6×11×6.1
SMK 40	SMK40G	SMSK40	SMSK40G	6	40	60	80	13	9×14×8.1
SMK 50	SMK50G	SMSK50	SMSK50G	6	50	80	100	13	9×14×8.1
SMK 60	SMK60G	SMSK60	SMSK60G	6	60	90	110	18	11×17×11.1
SMK 80	—	—	—	6	80	120	140	18	11×17×11.1
SMK100	—	—	—	6	100	150	175	20	14×20×13.1



Df mm	K mm	flange			eccentricity μm	perpendicularity μm	basic load rating		mass g	shaft diameter mm
		t mm	P.C.D. mm	X×Y×Z mm			dynamic C N	static Co N		
28	22	5	20	3.5×6×3.1	12	12	206	265	18	6
32	25	5	24	3.5×6×3.1			176	216	24	8
32	25	5	24	3.5×6×3.1			274	392	29	8
40	30	6	29	4.5×7.5×4.1			372	549	52	10
42	32	6	32	4.5×7.5×4.1			510	784	57	12
43	34	6	33	4.5×7.5×4.1			510	784	72	13
48	37	6	38	4.5×7.5×4.1	774	1,180	104	16		
54	42	8	43	5.5×9×5.1	882	1,370	145	20		
62	50	8	51	5.5×9×5.1	980	1,570	300	25		
74	58	10	60	6.6×11×6.1	1,570	2,740	375	30		
82	64	10	67	6.6×11×6.1	1,670	3,140	560	35		
96	75	13	78	9×14×8.1	2,160	4,020	880	40		
116	92	13	98	9×14×8.1	3,820	7,940	2,000	50		
134	106	18	112	11×17×11.1	4,700	10,000	2,560	60		
164	136	18	142	11×17×11.1	7,350	16,000	5,300	80		
200	170	20	175	14×20×13.1	14,100	34,800	9,900	100		

1N≒0.102kgf

# SMK-W TYPE

– Square Flange Double-Wide Type –

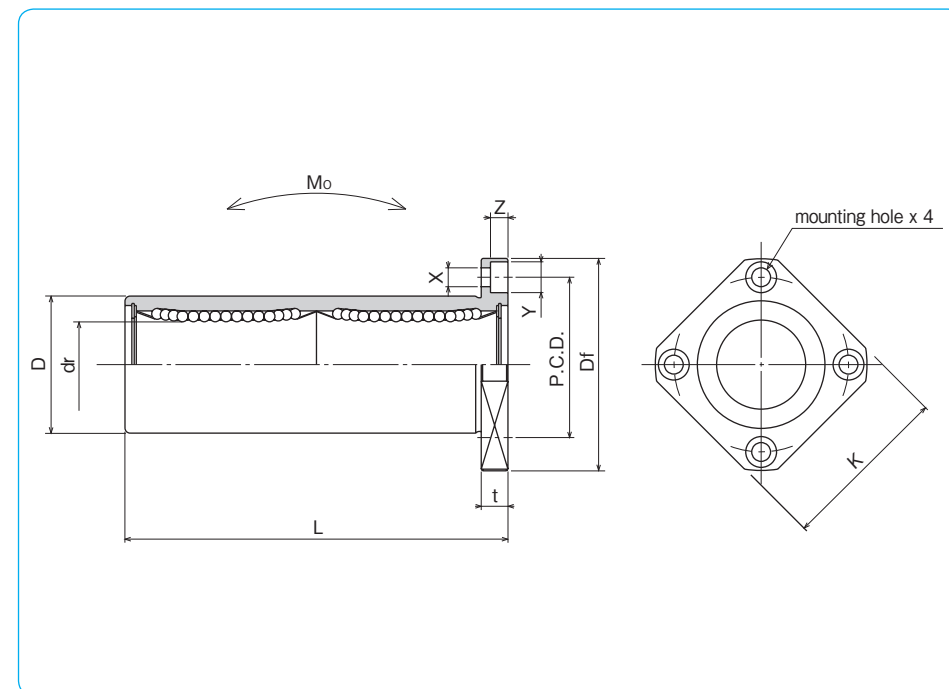


## part number structure

example **SMSK 25 G W UU -SK**

specification <b>SMK</b> : standard <b>SMSK</b> : anti-corrosion	outer cylinder surface treatment <b>blank</b> : no surface treatment <b>SK</b> : electroless nickel plating <b>LF</b> : low temperature black chrome treatment with fluoride coating <b>SB</b> : black oxide (not available on anti-corrosion type) <b>SC</b> : industrial chrome plating
inner contact diameter (dr)	seal <b>blank</b> : without seal <b>UU</b> : seals on both sides <b>ZZ</b> : doublelip-seals on both sides
retainer material <b>blank</b> : standard/steel anti-corrosion/stainless steel <b>G</b> : resin	double-wide type

Doublelip-seal is available for size 6 to 30.



part number				number of ball circuits	dr		major dimensions		
standard steel retainer	resin retainer	anti-corrosion stainless retainer	anti-corrosion resin retainer		mm	tolerance $\mu\text{m}$	D mm	tolerance $\mu\text{m}$	L $\pm 0.3$ mm
SMK 6W	SMK 6GW	SMSK 6W	SMSK 6GW	4	6	0	12	0	35
SMK 8W	SMK 8GW	SMSK 8W	SMSK 8GW	4	8	0	15	-13	45
SMK 10W	SMK 10GW	SMSK 10W	SMSK 10GW	4	10	0	19	0	55
SMK 12W	SMK 12GW	SMSK 12W	SMSK 12GW	4	12	-10	21	0	57
SMK 13W	SMK 13GW	SMSK 13W	SMSK 13GW	4	13	0	23	-16	61
SMK 16W	SMK 16GW	SMSK 16W	SMSK 16GW	4	16	0	28	0	70
SMK20W	SMK20GW	SMSK20W	SMSK20GW	5	20	0	32	0	80
SMK25W	SMK25GW	SMSK25W	SMSK25GW	6	25	-12	40	-19	112
SMK30W	SMK30GW	SMSK30W	SMSK30GW	6	30	0	45	0	123
SMK35W	SMK35GW	SMSK35W	SMSK35GW	6	35	0	52	0	135
SMK40W	SMK40GW	SMSK40W	SMSK40GW	6	40	-15	60	-22	151
SMK50W	SMK50GW	SMSK50W	SMSK50GW	6	50	0	80	0	192
SMK60W	SMK60GW	SMSK60W	SMSK60GW	6	60	0/-20	90	0/-25	209

Df mm	K mm	flange			eccentricity $\mu\text{m}$	perpendicularity $\mu\text{m}$	basic load rating		allowable static moment $\text{N} \cdot \text{m}$	mass g	shaft diameter mm
		t mm	P.C.D. mm	X×Y×Z mm			dynamic C N	static Co N			
28	22	5	20	3.5×6×3.1	15	15	323	530	2.18	25	6
32	25	5	24	3.5×6×3.1			431	784	4.31	43	8
40	30	6	29	4.5×7.5×4.1			588	1,100	7.24	78	10
42	32	6	32	4.5×7.5×4.1			813	1,570	10.9	90	12
43	34	6	33	4.5×7.5×4.1			813	1,570	11.6	108	13
48	37	6	38	4.5×7.5×4.1			1,230	2,350	19.7	165	16
54	42	8	43	5.5×9×5.1	20	20	1,400	2,740	26.8	225	20
62	50	8	51	5.5×9×5.1			1,560	3,140	43.4	500	25
74	58	10	60	6.6×11×6.1			2,490	5,490	82.8	590	30
82	64	10	67	6.6×11×6.1			2,650	6,270	110	930	35
96	75	13	78	9×14×8.1	25	25	3,430	8,040	147	1,380	40
116	92	13	98	9×14×8.1			6,080	15,900	397	3,400	50
134	106	18	112	11×17×11.1			7,550	20,000	530	4,060	60

1N  $\approx$  0.102kgf 1N  $\cdot$  m  $\approx$  0.102kgf  $\cdot$  m

# SMK-W-E TYPE

— Square Flange Double-Wide Pilot End Type —

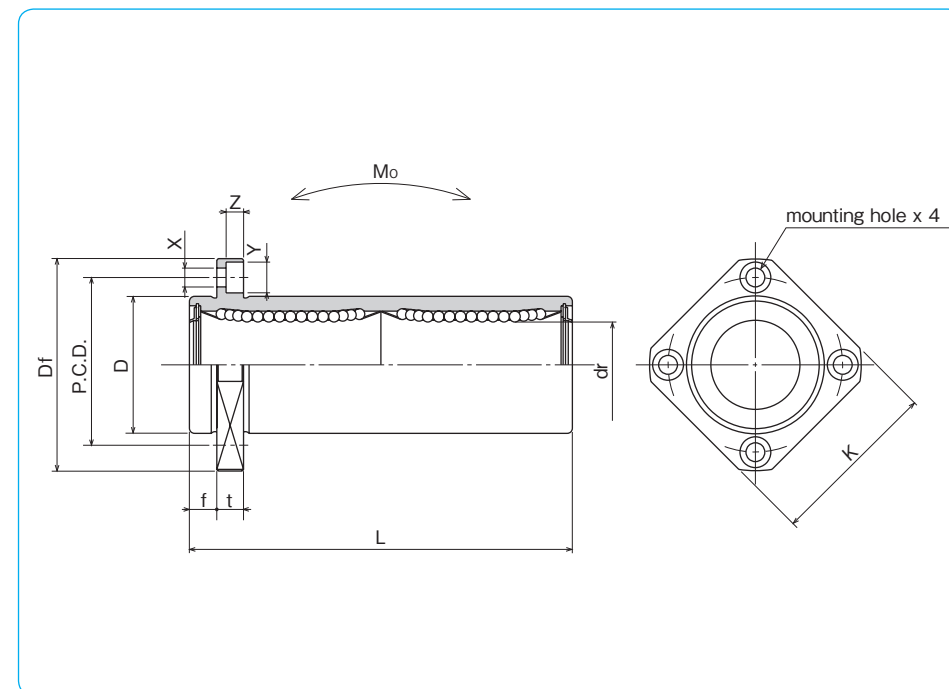


## part number structure

example **SMSK 25 G W UU - E - SK**

specification <b>SMK</b> : standard <b>SMSK</b> : anti-corrosion	outer cylinder surface treatment <b>blank</b> : no surface treatment <b>SK</b> : electroless nickel plating <b>LF</b> : low temperature black chrome treatment with fluoride coating <b>SB</b> : black oxide (not available on anti-corrosion type) <b>SC</b> : industrial chrome plating
inner contact diameter (dr)	with pilot end
retainer material <b>blank</b> : standard/steel anti-corrosion/stainless steel <b>G</b> : resin	seal <b>UU</b> : seals on both sides <b>ZZ</b> : doublelip-seals on both sides
double-wide type	

Doublelip-seal is available for size 6 to 30.



part number*				number of ball circuits	dr mm	major dimensions		
standard steel retainer	standard resin retainer	anti-corrosion stainless retainer	anti-corrosion resin retainer			D mm	D tolerance μm	L mm
SMK 6WUU-E	SMK 6GWUU-E	SMSK 6WUU-E	SMSK 6GWUU-E	4	6	12	0	35
SMK 8WUU-E	SMK 8GWUU-E	SMSK 8WUU-E	SMSK 8GWUU-E	4	8	15	-13	45
SMK 10WUU-E	SMK 10GWUU-E	SMSK 10WUU-E	SMSK 10GWUU-E	4	10	19	0	55
SMK 12WUU-E	SMK 12GWUU-E	SMSK 12WUU-E	SMSK 12GWUU-E	4	12	21	0	57
SMK 13WUU-E	SMK 13GWUU-E	SMSK 13WUU-E	SMSK 13GWUU-E	4	13	23	-16	61
SMK 16WUU-E	SMK 16GWUU-E	SMSK 16WUU-E	SMSK 16GWUU-E	4	16	28	0	70
SMK 20WUU-E	SMK 20GWUU-E	SMSK 20WUU-E	SMSK 20GWUU-E	5	20	32	0	80
SMK 25WUU-E	SMK 25GWUU-E	SMSK 25WUU-E	SMSK 25GWUU-E	6	25	40	-19	112
SMK 30WUU-E	SMK 30GWUU-E	SMSK 30WUU-E	SMSK 30GWUU-E	6	30	45	0	123
SMK 35WUU-E	SMK 35GWUU-E	—	—	6	35	52	0	135
SMK 40WUU-E	SMK 40GWUU-E	—	—	6	40	60	0	151
SMK 50WUU-E	SMK 50GWUU-E	—	—	6	50	80	-22	192
SMK 60WUU-E	SMK 60GWUU-E	—	—	6	60	90	0/-25	209

\* Seals-on-both-sides is standard.

f mm	Df mm	flange			P.C.D. mm	X×Y×Z mm	eccentricity μm	perpendicularity μm	basic load rating		allowable static moment Mo N·m	mass g	shaft diameter mm
		K mm	t mm	C N					Co N				
5	28	22	5	20	3.5×6×3.1	15	15	323	530	2.18	25	6	
5	32	25	5	24	3.5×6×3.1			431	784	4.31	43	8	
6	40	30	6	29	4.5×7.5×4.1			588	1,100	7.24	78	10	
6	42	32	6	32	4.5×7.5×4.1			813	1,570	10.9	90	12	
6	43	34	6	33	4.5×7.5×4.1			813	1,570	11.6	108	13	
6	48	37	6	38	4.5×7.5×4.1			1,230	2,350	19.7	165	16	
8	54	42	8	43	5.5×9×5.1	20	20	1,400	2,740	26.8	225	20	
8	62	50	8	51	5.5×9×5.1			1,560	3,140	43.4	500	25	
10	74	58	10	60	6.6×11×6.1			2,490	5,490	82.8	590	30	
10	82	64	10	67	6.6×11×6.1			2,650	6,270	110	930	35	
13	96	75	13	78	9×14×8.1	25	25	3,430	8,040	147	1,380	40	
13	116	92	13	98	9×14×8.1			6,080	15,900	397	3,400	50	
18	134	106	18	112	11×17×11.1			7,550	20,000	530	4,060	60	

1N ≅ 0.102kgf 1N · m ≅ 0.102kgf · m