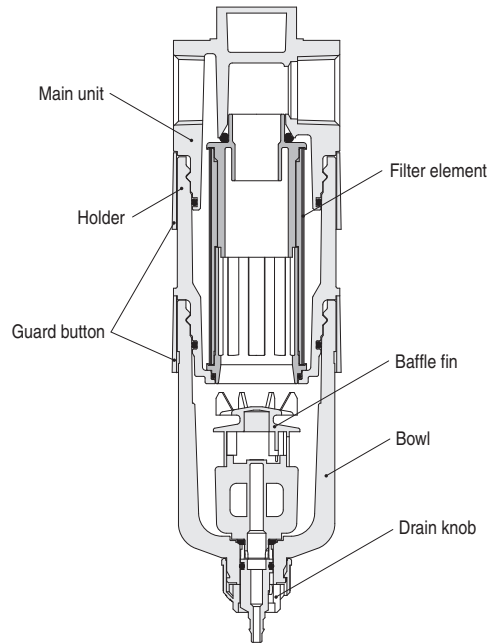


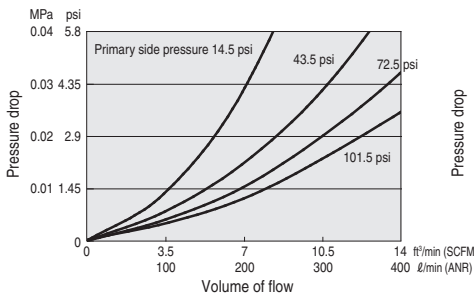
Inner construction

- MMFZ30
- MMFZ40
- MMFZ50

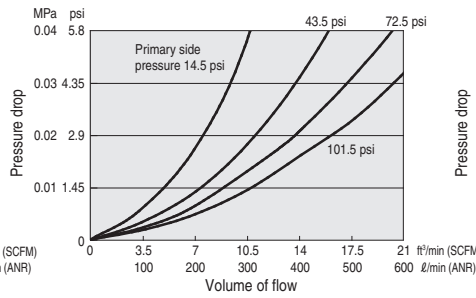


Flow rate characteristics

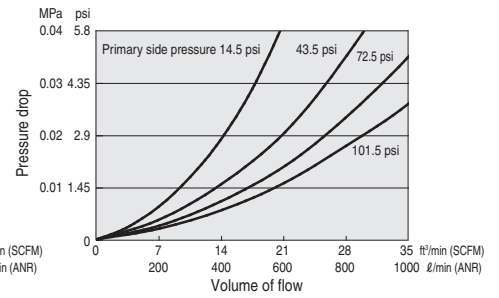
MMFZ30-F11-01



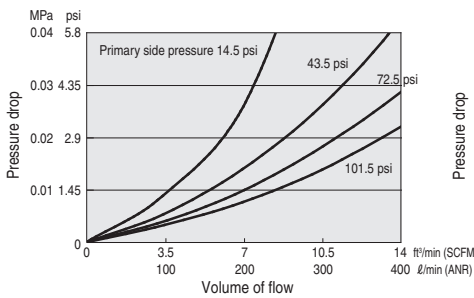
MMFZ40-F11-01



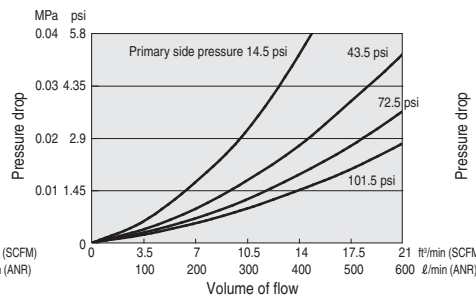
MMFZ50-F11-02



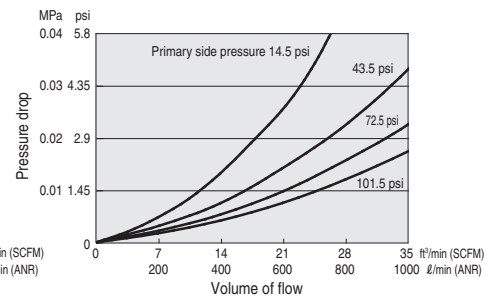
MMFZ30-F11-02



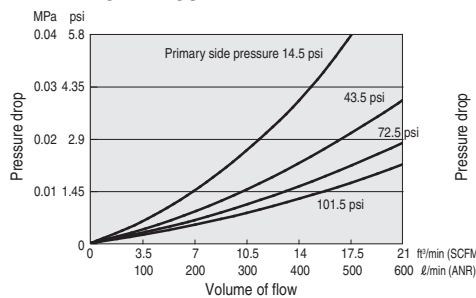
MMFZ40-F11-02



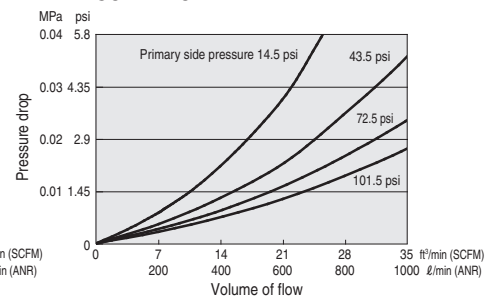
MMFZ50-F11-03



MMFZ40-F11-03



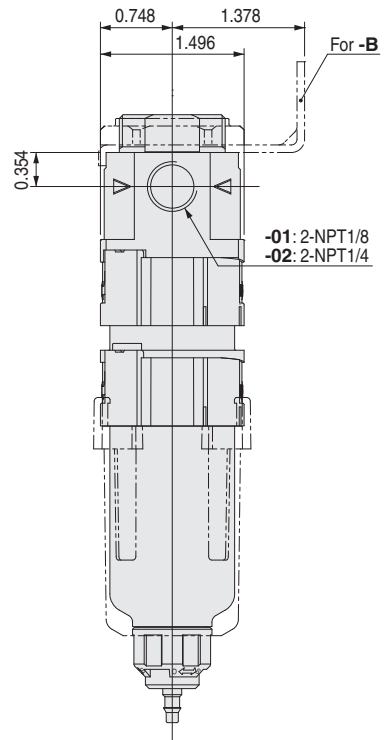
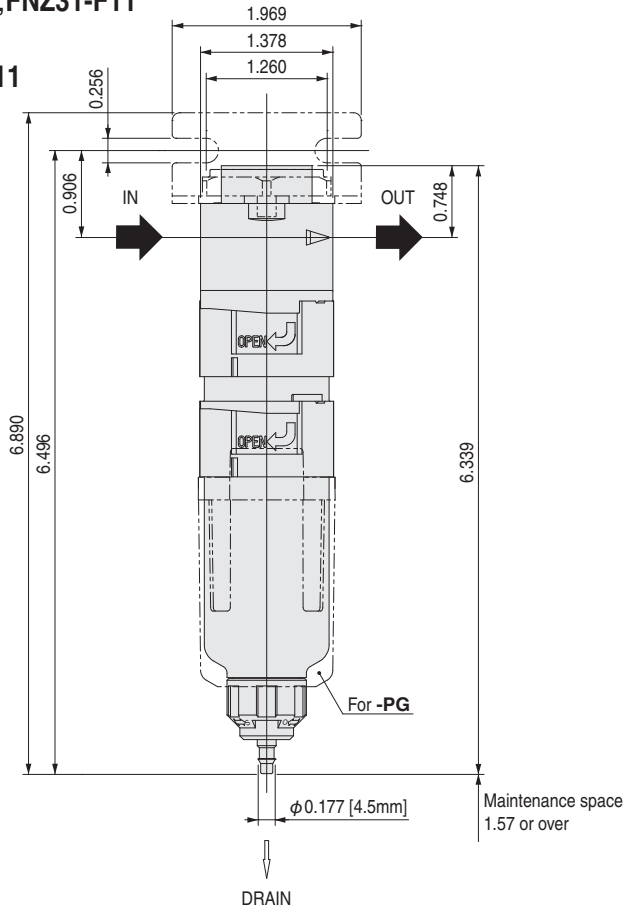
MMFZ50-F11-04



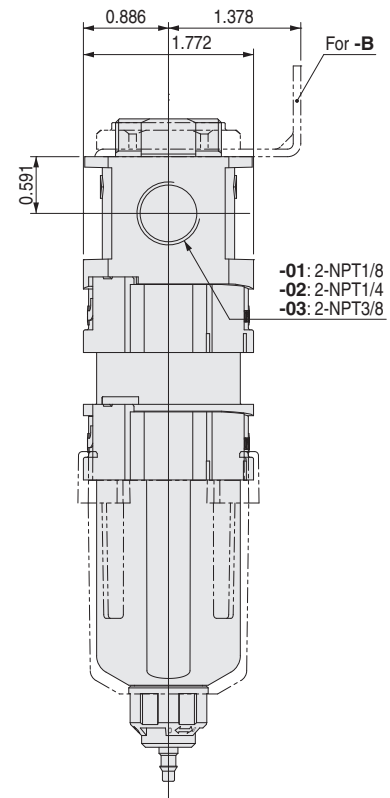
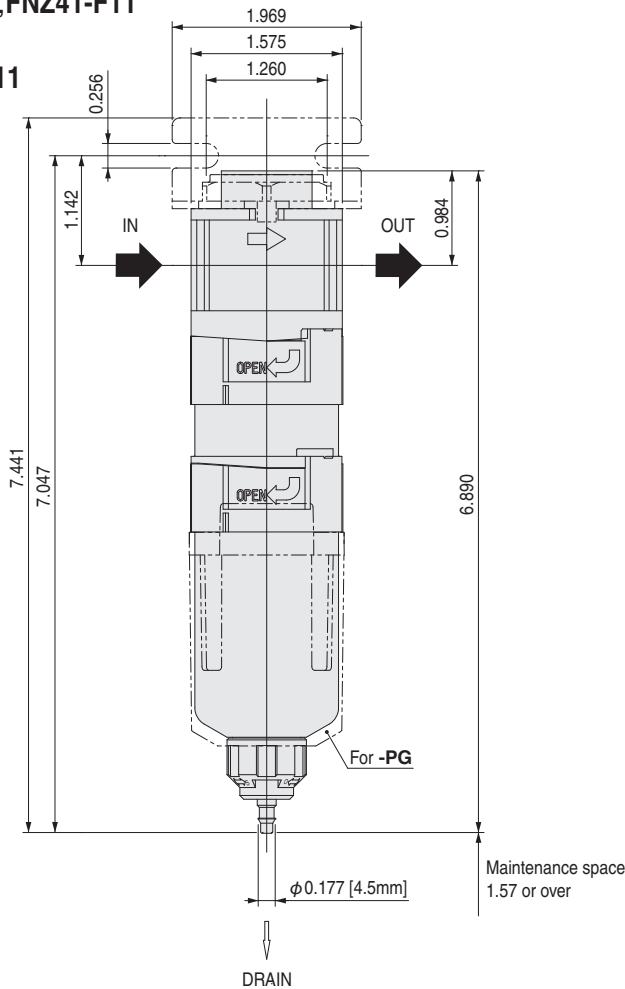
1 MPa = 145 psi
 1 l/min = 0.0353 ft³/min

Dimensions in.

- FNZ30-F11, FNZ31-F11
- MFZ30-F11
- MMFZ30-F11

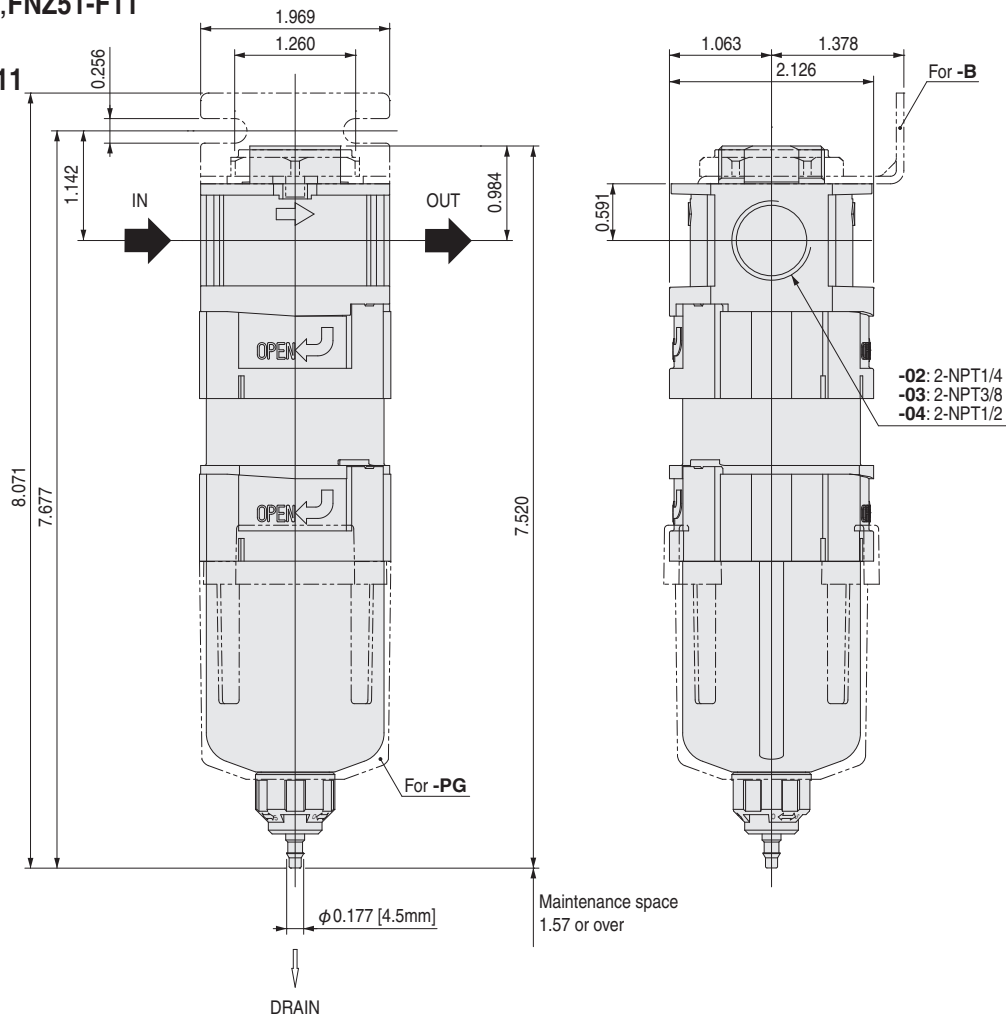


- FNZ40-F11, FNZ41-F11
- MFZ40-F11
- MMFZ40-F11



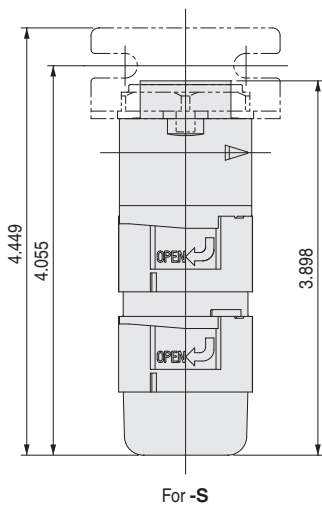
Dimensions in.

- FNZ50-F11, FNZ51-F11
- MFZ50-F11
- MMFZ50-F11

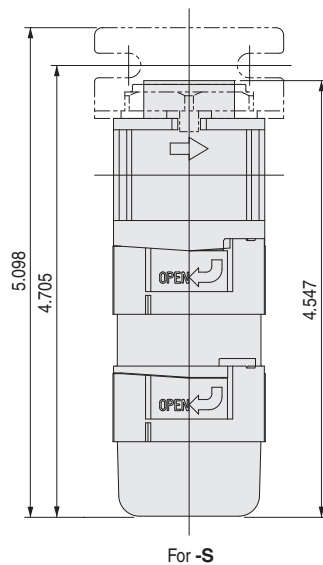


■ No drain cock (short type) for -S

- FNZ30-F11, FNZ31-F11
- MFZ30-F11
- MMFZ30-F11



- FNZ40-F11, FNZ41-F11
- MFZ40-F11
- MMFZ40-F11



- FNZ50-F11, FNZ51-F11
- MFZ50-F11
- MMFZ50-F11

